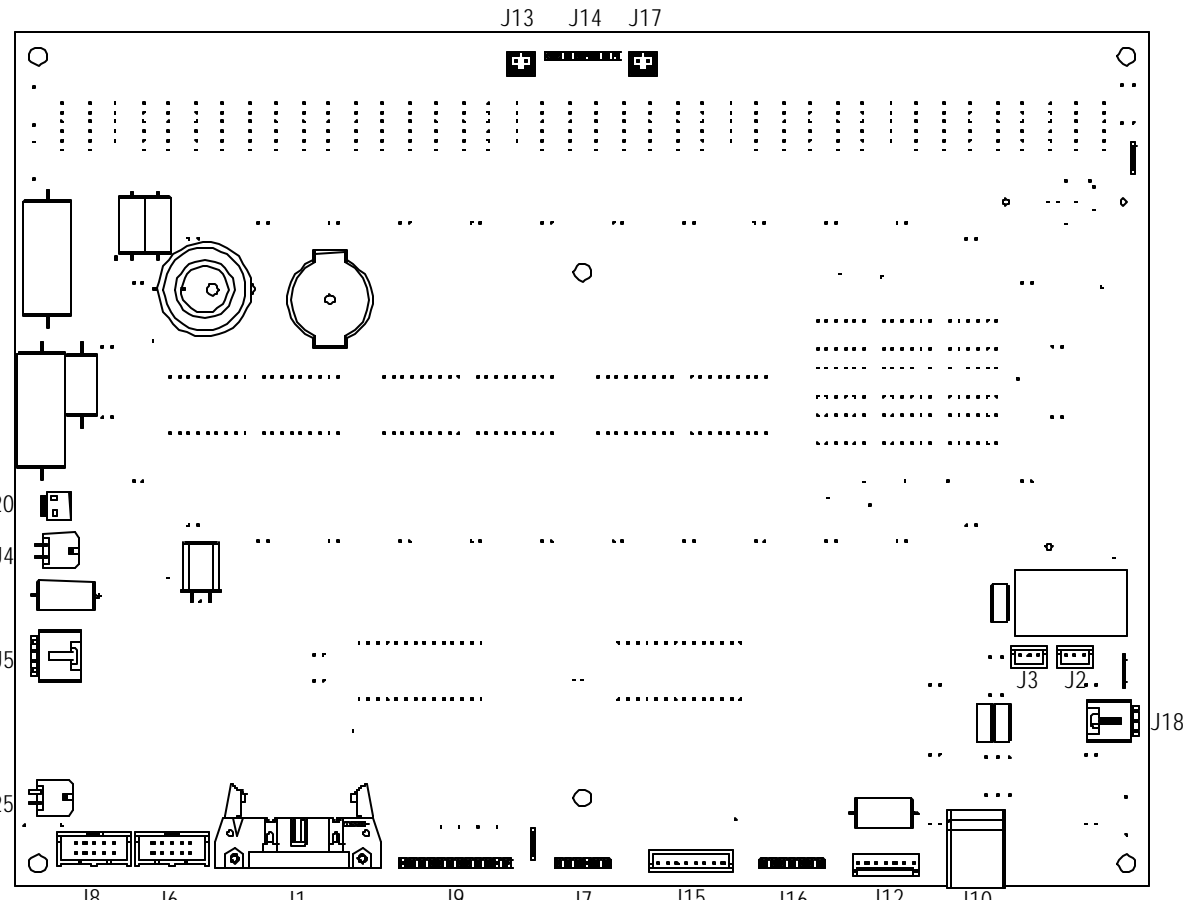
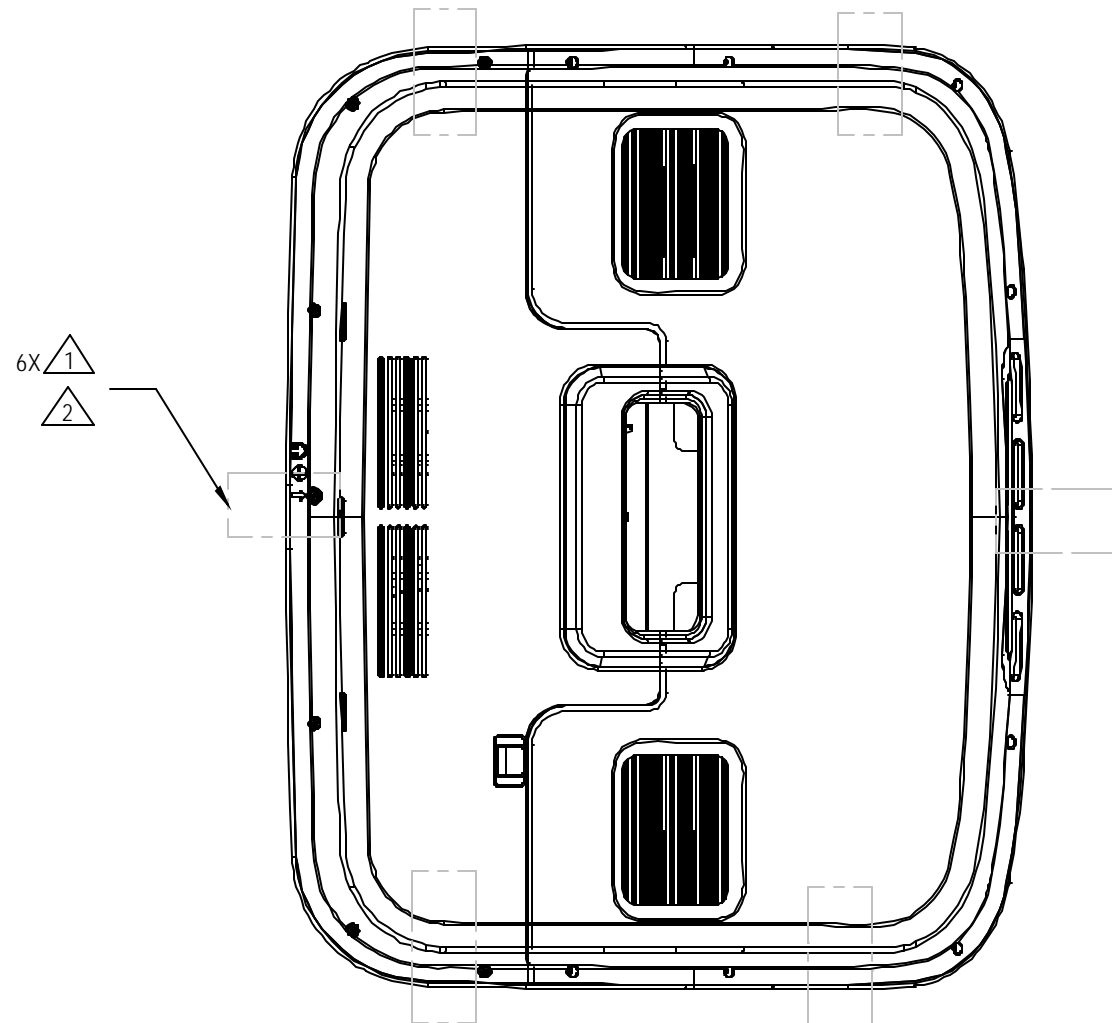


REVISIONS				
REV.	DATE	DESCRIPTION	ECO	BY
A	03/07/2007	PRODUCTION RELEASE	11558	VC
B	05-23-07	110-3402 QTY. IS 43 WAS 45. 120-3307 QTY. IS 9 WAS 11. ADDED P/N 140-3424	11628	SJK

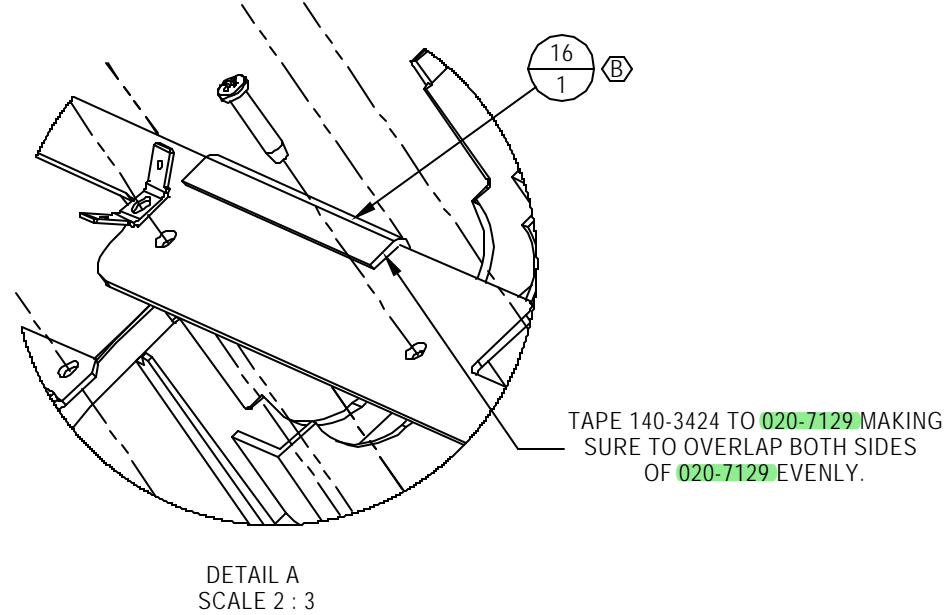


CONNECTOR DESIGNATIONS ON PCB
P/N 715-3644

ITEM NO.	PART NUMBER	DESCRIPTION	Default/QT.
1	020-7069	SHROUD, REAR, TOP, TR	1
2	020-7070	SHROUD, REAR, BOTTOM, TR	1
3	020-7073	LINING, CUP HOLDER, PRO TR	1
4	020-7074	CAP, TV BLANK, TR	1
5	020-7096	BRACKET, BLOWER SUPPORT, TR	2
6	020-7124	HEADPHONE JACK COVER-TREAD	1
7	020-7129	SUPPORT, LED, VLAD, TREAD	1
8	050-2066	LABEL, STAR TRAC, 7.42" X 1.78"	1
9	110-3170	SCREW, M4x35, PHM, PH, CS, ZI	4
10	110-3402	SCREW, M4x0.7x19L, PHT, PH, CS, BZ	43
11	110-3403	SCREW, M4x0.7x45L, PHT, PH, CS, BO	2
12	110-3404	SCREW, M4x0.7x6L, PHT, PH, CS, BO	5
13	110-3407	SCREW, M4x0.7x6L, PHM, PH, BO	5
14	120-3258	WASHER, M4, TEETH, 0.45THK	5
15	120-3307	WASHER, M4, 4.3mm I.D. X 12mm O.D., ISO 7089	9
16	140-3424	TAPE, VELCRO LOOP, DISPLAY, E-TR	1
17	240-6901	TAB, QUICK DISCONNECT, 250 TIN, PAIR	2
18	715-3518	ASSY, CABLE, POLAR RECEIVER, PRO'S TR	1
19	715-3642	ASSY, FAN W/VENT, LEFT	1
20	715-3643	ASSY, FAN W/VENT, RIGHT	1
21	715-3648	ASSY, DISP. ELEC. PRO TR, LED TVIR	1
22	715-3650	ASSY, AIR VENT, TREAD, TVIR	1
23	715-3657	ASSY, CENTER CONSOLE, TR	1
24	715-3658-01	HOUSING, FRONT W/COVER, TR	1
25	715-3676	HARNESS, DISPLAY GND STRAP, PRO	1
26	721-0033	ASSY., CONN., FIT/LINX/CARDIO	1

- NOTES:
- USE NON MARKING, LOW TACK, TAPE TO HOLD BACK PLASTIC TO COMPLETE ASSEMBLY.
 - CLEAN AREA WITH ISOPROPYL ALCOHOL.
 - PROVIDE IN A BAG 20 SCREWS, PART NUMBER 110-3402 AND 6 WASHERS, PART NUMBER 120-3307.
4. CONNECTIVITY:
- 715-3518 WIRE TO J18 ON 715-3644.
 - 715-3642 WIRE TO J17 ON 715-3644.
 - 715-3643 WIRE TO J13 ON 715-3644.
 - 715-3650 RIBBON TO J14 ON 715-3644.
 - 715-3657 RIBBON TO J7 ON 715-3644.
 - 721-0033 WIRE TO J12 ON 715-3644.

- TORQUE TORQUE SCREWS TO:
 110-3170 13-17Lb-IN / 1.5-1.9Nm
 110-3404 8-12Lb-IN / 0.9-1.4Nm
 110-3402 13-17Lb-IN / 1.5-1.9Nm
 110-3403 13-17Lb-IN / 1.5-1.9Nm
 110-3407 13-17Lb-IN / 1.5-1.9Nm



DOCUMENT STATUS:
RELEASE

NOTICE OF PROPRIETARY INFORMATION
THIS DOCUMENT SHALL NOT BE REPRODUCED NOR SHALL THE INFORMATION CONTAINED HEREIN BE USED BY OR DISCLOSED TO OTHER EXCEPT AS EXPRESSLY AUTHORIZED BY UNISEN.

MATERIAL SEE BOM

FINISH N/A

VENDOR: N/A

TOLERANCES UNLESS OTHERWISE SPECIFIED
 XXXX ± .010 (0.2540) ANGLES ± .2°
 XXX ± .005 (0.1270) FRACTIONS ± .150
 XX ± .002 (0.0508) X ± .001 (0.0254)
 X ± .001 (0.0254)

UNISEN, INC. DBA STAR TRAC 14410 Myford Road Irvine CA 92606

DRAWN FJM 12-02-06
 CHECKED
 APPROVED

PART NO. 715-3649
 TITLE ASSY, MAIN CONSOLE, E-TR
 SCALE: 2:5 SHEET 1 OF 1 | SHEET SIZE: D

INITIAL DATE
 U.O.M. INCH

REV. B